

1 2 3 4 5 6

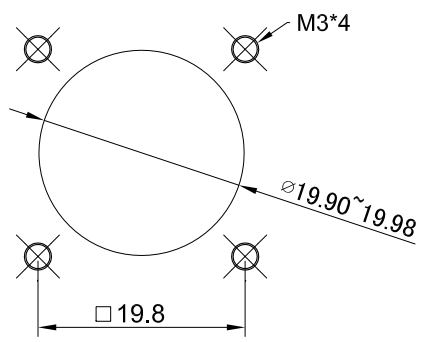
A

B

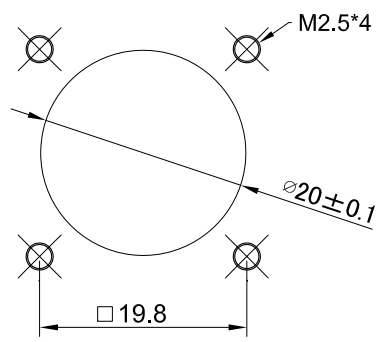
C

D

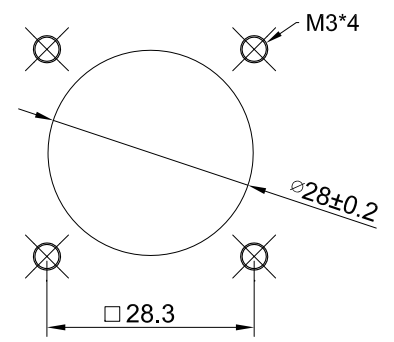
E



6P/30A Power (LEEA06A+SGIV)



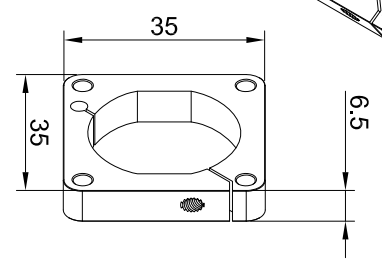
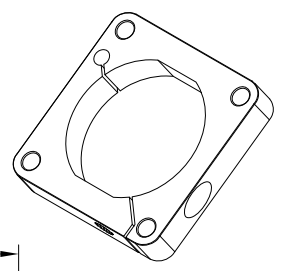
12/17P Signal (SFFA17G/12T)



6P/30A Power/Female/Male (LPNA06B+ Flange) ---
 12P/9A signal/Female/Male (SPNA12F+ Flange) --- Drive
 17P/9A signal/Female/Male (SPNA17G+ Flange) ---

Motor

P/N.30A35



一般加工公差	孔與中心孔距公差 ± 0.15 鑽孔與沉頭孔公差 +0.25 -0.05 角度 $\pm 0.5^\circ$
>0	± 0.05
>6	± 0.1
>30	± 0.15
>120	± 0.2
>400	± 0.3
>1000	± 0.5

REV:	REVISION DESCRIPTION	NAME	REV DATE
4			
3			
2			
1			



**AIRELECTRIC
CO., LTD.**
Special cable & modular connector
Application in Drive Technology

DO NOT SCALE DRAWING			MODULAR CONNECTOR SYSTEMS		
DESIGN	NAME: Tin	DATE: 2019.05.31	TITLE:	Flange-Drilling drawing	
DRAWN	Tin	2019.05.31	DEG NO.	P4A-DD-2019 9~30A-2019	
CHECKED	Leana	2019.05.31	REV:		
Q.A.	Kefer	2019.05.31	SCALE:	1:1	SHEET 1 OF 1
APPROVED	Lu	2019.05.31			A4 - ASSEMBLY