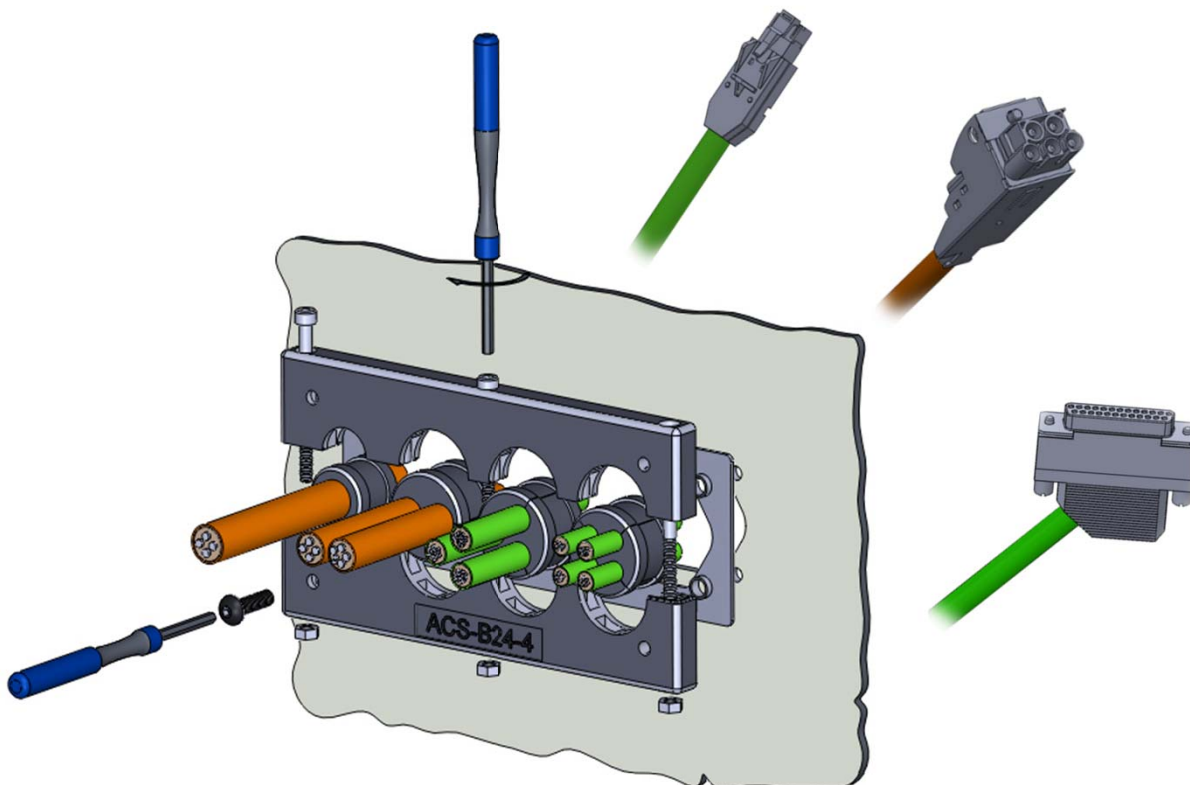


Features

- Quick and easy handling.
- Manufacturer's guarantee of pre-assembled cables remains valid.
- Little wiring work and high degree of flexibility.
- IP 54 due to continuous contoured sealing.
- No special tools required for assembly.
- Standard screw driver (SW3 x 100 mm) necessary to open split hood.
- Up to 16 cable entries (6~21 mm diameter).

RoHS



Configuration:

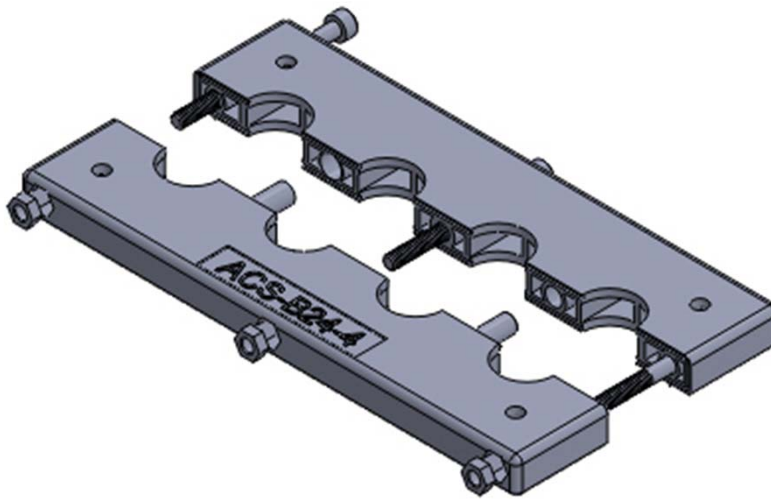
The ACS-B24-4 Series is a cable insertion rail for inserting pre-assembled

Properties:

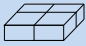
- Material: Polyamide V0
- Protection: IP54
- Temperature range: -20°C ~ +120°C
- Comment: Assembled in NBR-Gxx / FKM-Gxx Series
- Cable diameter: Ø6.5~13 mm
- Color: Black



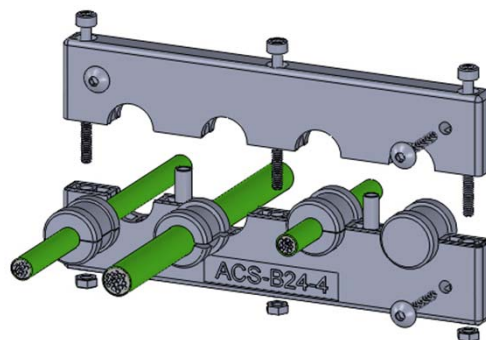
1



Mounting distances
Please see the page:12

Size		Assembled in				Part/No.
Series	Ø-mm	NBR-G xx	FKM-G xx	NBR-D xx		
B24-4	18	NBR-G00~13	FKM-G00~13		20	B24-41111
Please see the page: 6-8						

Application example



Configuration:

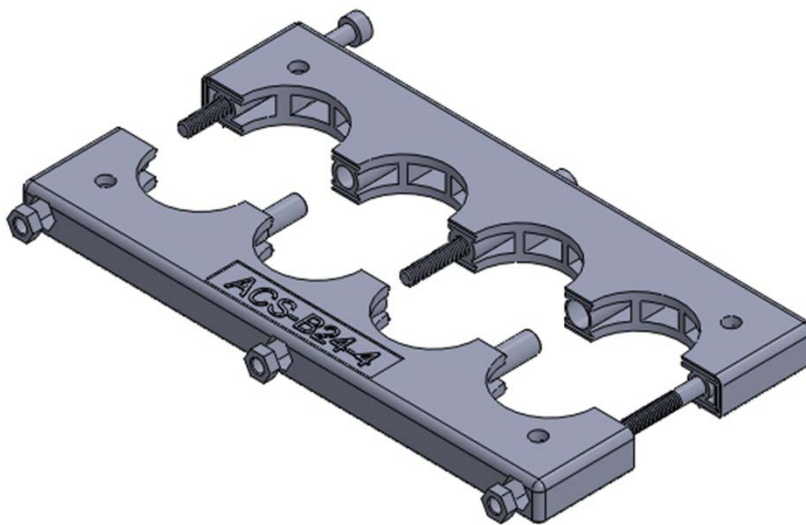
The ACS-B24-4 Series is a cable insertion rail for inserting pre-assembled

Properties:

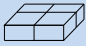
- Material: Polyamide V0
- Protection: IP54
- Temperature range: -20°C ~ +120°C
- Comment: Assembled in NBR-Gxx / FKM-Gxx /NBR-Dxx Series
- Cable diameter: Ø6.5~21 mm
- Color: Black

RoHS 

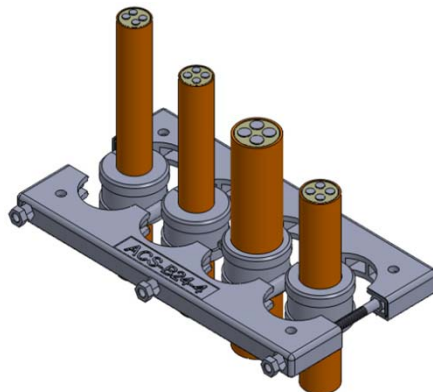
2



Mounting distances
Please see the page:12

Size		Assembled in				Part/No.
Series	Ø-mm	NBR-G xx	FKM-G xx	NBR-D xx		
B24-4	26	NBR-G14~21	FKM-G14~21	FKM-D07~11	20	B24-42222
Please see the page: 6~8						

Application example



Configuration:

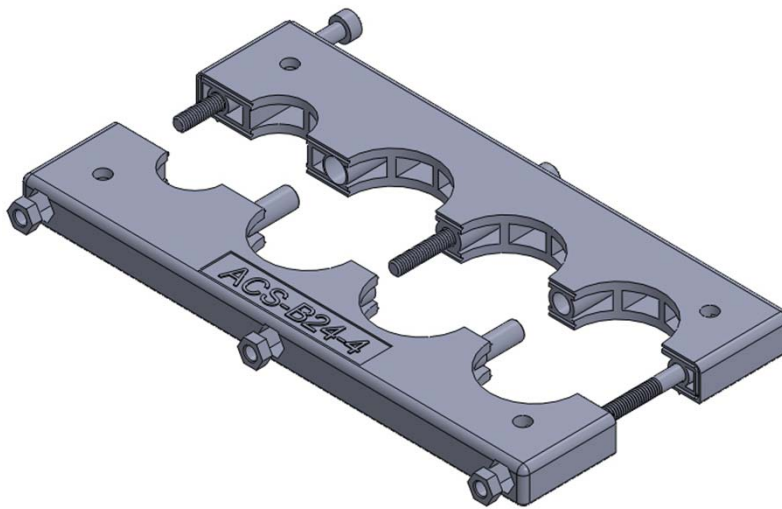
The ACS-B24-4 Series is a cable insertion rail for inserting pre-assembled

Properties:

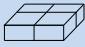
- Material: Polyamide V0
- Protection: IP54
- Temperature range: -20°C ~ +120°C
- Comment: Assembled in NBR-Gxx / FKM-Gxx /NBR-Dxx Series
- Cable diameter: Ø6.5~13 mm
- Color: Black



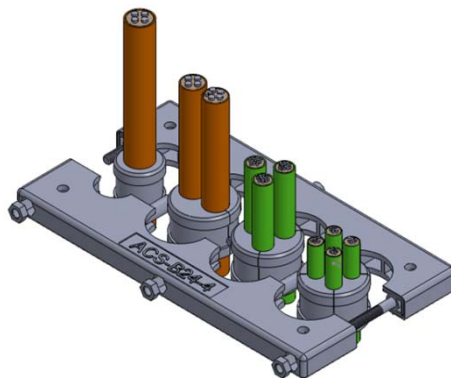
3



Mounting distances
Please see the page:12

Size		Assembled in				Part/No.
Series	Ø-mm	NBR-G xx	FKM-G xx	NBR-D xx		
B24-4	18/26	NBR-G00~21	FKM-G00~21	FKM-D07~11	20	B24-41222
Please see the page: 6~8						

Application example



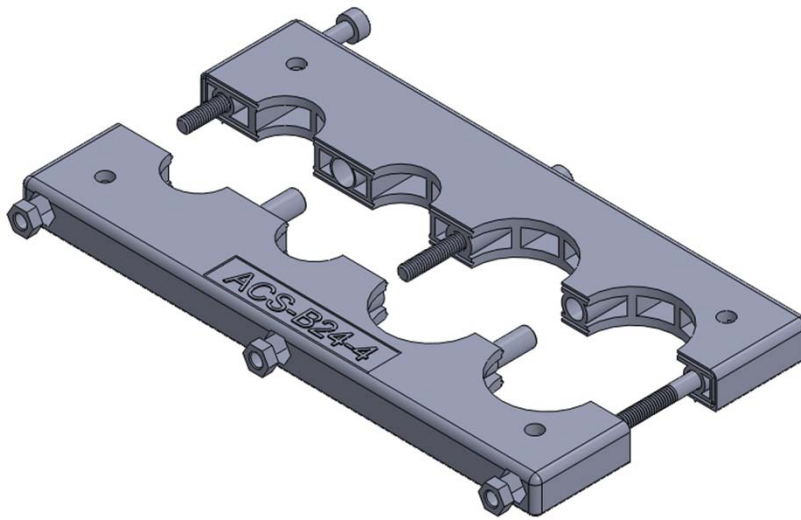
Configuration:

The ACS-B24-4 Series is a cable insertion rail for inserting pre-assembled

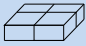
Properties:

- Material: Polyamide V0
- Protection: IP54
- Temperature range: -20°C ~ +120°C
- Comment: Assembled in NBR-Gxx / FKM-Gxx /NBR-Dxx Series
- Cable diameter: Ø6.5~13 mm
- Color: Black

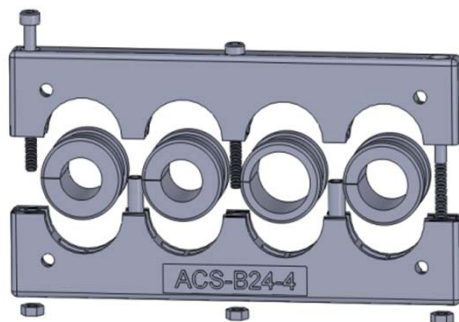
RoHS 



Mounting distances
Please see the page:12

Size		Assembled in				Part/No.
Series	Ø-mm	NBR-G xx	FKM-G xx	NBR-D xx		
B24-4	18/26	NBR-G00~21	FKM-G00~21	FKM-D07~11	20	B24-41122
Please see the page: 6~8						

Application example



Configuration:

The ACS-B24-4 Series is a cable insertion rail for inserting pre-assembled

Properties:

Material: Polyamide V0

Protection: IP54

Temperature range: -20°C ~ +120°C

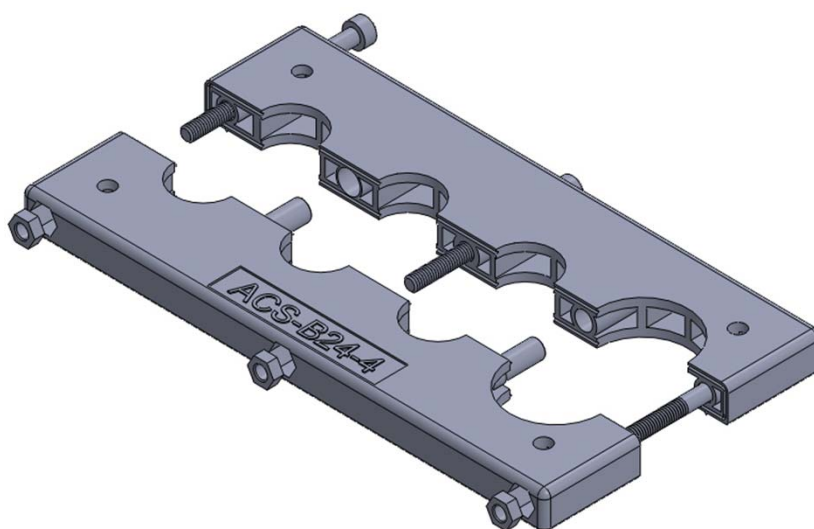
Comment: Assembled in NBR-Gxx / FKM-Gxx /NBR-Dxx Series

Cable diameter: Ø6.5~13 mm

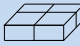
Color: Black



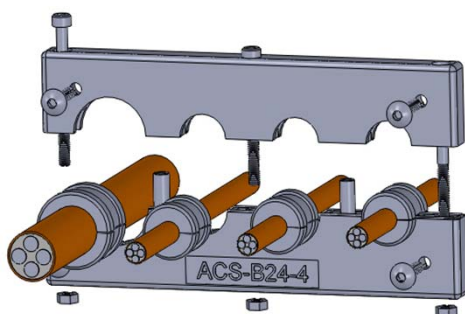
5



Mounting distances
Please see the page:12

Size		Assembled in				Part/No.
Series	Ø-mm	NBR-G xx	FKM-G xx	NBR-D xx		
B24-4	18/26	NBR-G00~21	FKM-G00~21	FKM-D07~11	20	B24-41112
Please see the page: 6~8						

Application example

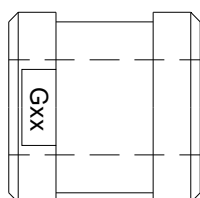
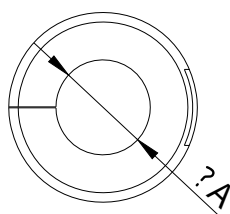



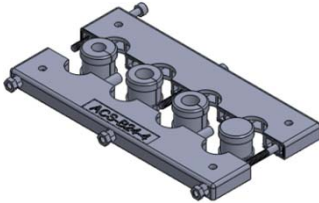

Configuration:

The ACS-B24-4 Series is a cable insertion rail for inserting pre-assembled

Properties:

- Material: Polychloroprene-Nitrile rubber NBR
- Protection: IP54
- Temperature range: -20°C ~ +100°C
- Comment: Assembled in ACS-B24-4xxxx Series
- Cable diameter: 6.5~21 mm
- Color: Black



Size		A-mm	Assembled in ACS-B24-4xxxx Series		Part/No.
Ø18-mm	G00	Dummy		50	N-G00
	G06	6.5~7		50	N-G06
	G07	7.5~8.5		50	N-G07
	G08	8.5~9		50	N-G08
	G09	9.5~10		50	N-G09
	G10	10.5~11		50	N-G10
	G11	11.5~12.5		50	N-G11
	G12	12.3~13.5		50	N-G12
	G13			50	N-G13
Ø26-mm	G14	13.9~14.5		25	N-G14
	G15			25	N-G15
	G16	15.6~16.4		25	N-G16
	G17	17.4~18		25	N-G17
	G18			25	N-G18
	G19			25	N-G19
	G20	19.8~20.5		25	N-G20
	G21	20.7~21.5		25	N-G21
	G1/2"	20.7~21.6		25	N-G12
T21	Tube 1/2"	25	N-T21		

Configuration:

The ACS-B24-4 Series is a cable insertion rail for inserting pre-assembled

Properties: Resistant against chemicals, solvents and oil

Material: Polychloroprene-Nitrile rubber FKM(Viton)

Protection: IP54

Temperature range: -18°C ~ +200°C

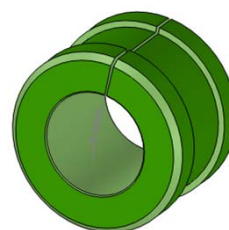
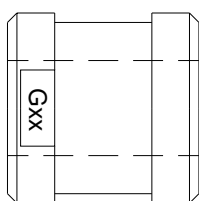
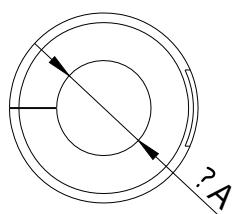
Comment: Assembled in ACS-B24-4xxxx Series


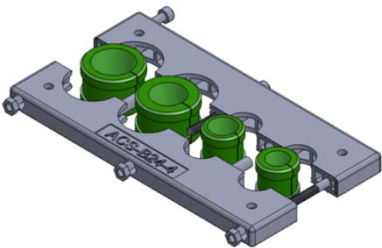

Cable diameter: 6.5~21 mm

Color: Green



7



Size		A-mm	Assembled in ACS-B24-4xxxx Series		Part/No.
Ø18-mm	G00	Dummy		50	F-G00
	G06	6.5~7		50	F-G06
	G07	7.5~8.5		50	F-G07
	G08	8.5~9		50	F-G08
	G09	9.5~10		50	F-G09
	G10	10.5~11		50	F-G10
	G11	11.5~12.5		50	F-G11
	G12	12.3~13.5		50	F-G12
	G13			50	F-G13
Ø26-mm	G14	13.9~14.5		25	F-G14
	G15			25	F-G15
	G16	15.6~16.4		25	F-G16
	G17	17.4~18		25	F-G17
	G18			25	F-G18
	G19			25	F-G19
	G20	19.8~20.5		25	F-G20
	G21	20.7~21.5		25	F-G21
	G1/2"	20.7~21.6		25	F-G12
T21	Tube 1/2"	25	F-T21		


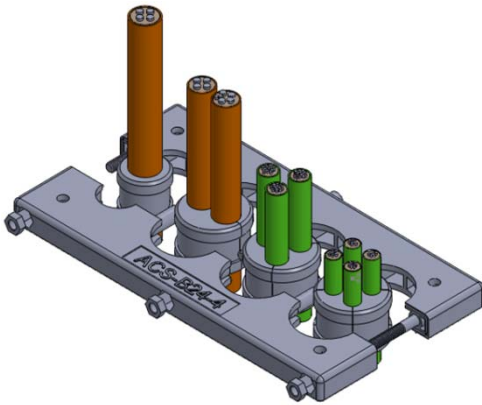
Configuration:

The ACS-B24-4 Series is a cable insertion rail for inserting pre-assembled

Properties:

- Material: Polychloroprene-Nitrile rubber NBR
- Protection: IP54
- Temperature range: -20°C ~ +100°C
- Comment: Assembled in ACS-B24-4xxxx Series
- Cable diameter: 6.5~21 mm
- Color: Black



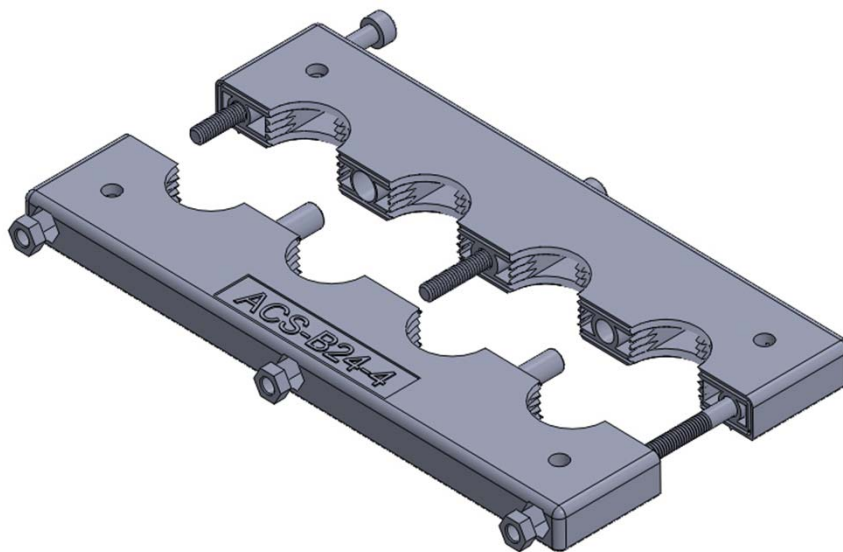
Size		A-mm	Assembled in ACS-B24-4xxxx Series		Part/No.
Ø26-mm	P6-4	6.7*4		20	D06-4
	P8-3	8.6*3		20	D08-3
	P10/11	10.5*1		20	D10/11
		11.7*1		20	
	P00	Dummy		20	D6.7
				20	D8.6
				20	D10.5
				20	D11.7

Configuration:

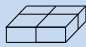
The ACS-B24-4 Series is a cable insertion rail for inserting pre-assembled

Properties:

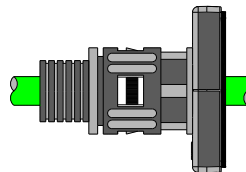
- Material: Polyamide V0
- Protection: IP54
- Temperature range: -20°C ~ +120°C
- Comment: Assembled in Metric / CTG(PF) thread series
- Max.Tubing: PG9~PG16(5/16"~1/2")
- Color: Black



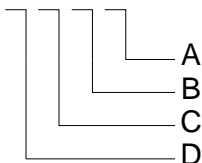
Mounting distances
Please see the page:12

Size	A~D (Option)					Part/No.
	A	B	C	D		
B24-4	1/2"PF	1/2"PF	1/2"PF	1/2"PF	20	B24-4EEEE
Please see the page 11						

Application example



B24-4 x x x x



- E:** 1/2"PF screw connection(5/16"~1/2" tubing)
- 2:** Ø26mm
- 1:** Ø18mm

Configuration:


The ACS-B24-4 Series is a cable insertion rail for inserting pre-assembled

Properties:

- Material: High-quality plastic (PA)
- Thread: 1/2" PF / CTG
- Protection: IP67
- Temperature range: -30°C ~ +100°C
- Tubing range: PG9~PG16(5/16"~1/2")
- Color: Black



Screw connection

Tubing Size	Cable diameter	Assembled in ACS-B24-4EEE Series		Part/No.
1/2"	~ Ø16mm	Flexa Quick and easy cable protection systems	50	5020.052.203
3/8"	~ Ø12.5mm		50	5020.052.202
5/16"	~ Ø10mm		50	5020.052.201

flexaquick Systems <http://www.flexa.de/>

Application example



Configuration:

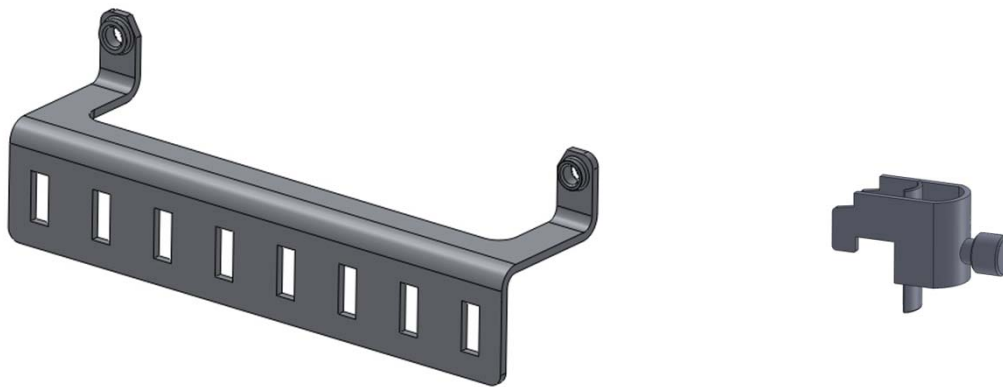
The ACS-B24-4 Series is a cable insertion rail for inserting pre-assembled


Properties:

- Material: Metal, Nickel-plated
- Internal thread: M5*0.8P*2(B24-A0)
- Comment: Shield bracket & Shield clamp
- Space-saving, up to 16 cables

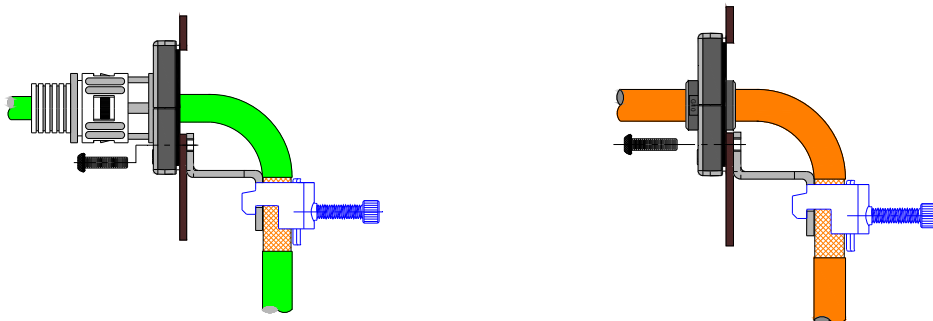


11



Size	Cable diameter	Assembled in ACS-B24-4xxxx Series		Part/No.
B24-4	Ø3~26mm	shield bracket	20	BA24-A0
	Ø3~13mm	shield clamp	50	AB02

Application example



Configuration:

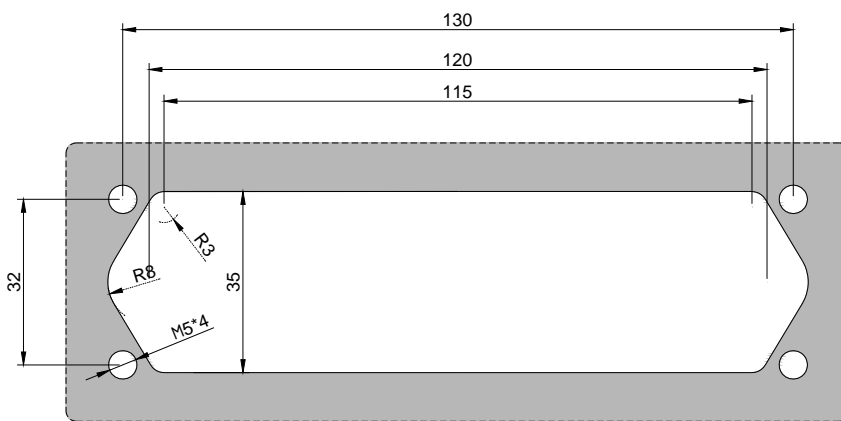
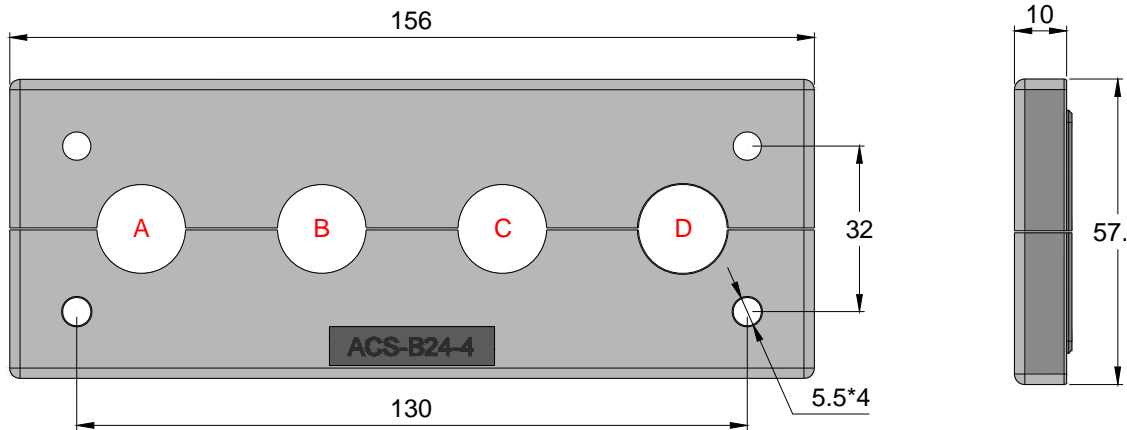
The ACS-B24-4 Series is a cable insertion rail for inserting pre-assembled

Properties:

- Material: Polyamide V0
- Protection: IP54
- Temperature range: -20°C ~ +120°C
- Comment: Mounting distances
- Cable diameter: 6.5~21 mm
- Color: Black



Layout description



Drilling drawing