

## Features(特色)

Capable of static or dynamic applications organizing and securing cables.

適合動態或靜態管線固定用。

Customized multi-level assembly and horizontal expandability.

可自行多層組裝或橫向擴充。

Easily organized by using cable ties.

簡單使用紮線帶固定。

Material: Polyamide

Properties: halogen/silicone-free

Temperature: -40°C ~ +160°C

Flame class: UL-94 V0, self-extinguishing

材 質: 尼龍+纖維

屬 性: 不含鹵素及矽

溫 度: -40°C ~ +160°C

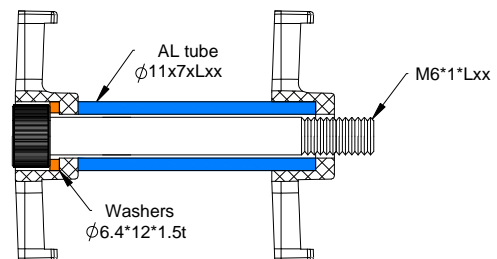
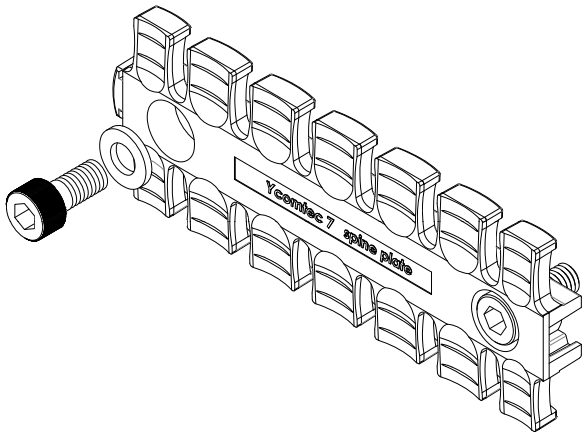
阻燃等級: UL-94 V0,不自燃。

Part/No.	Packing	color
B784	100 pcs	RAL9011(graphite black)
G784	100 pcs	RAL5011(steel Blue)
B785	100 pcs	RAL9005(black)
W786	100 pcs	RAL9003(white)

Multi-level assembly accessories

多層組裝管配件

Part/No.	AL tube / Lxx	M6*1 / Lxx
71157	57 mm	80 mm
71177	77 mm	100 mm
71197	97 mm	120 mm

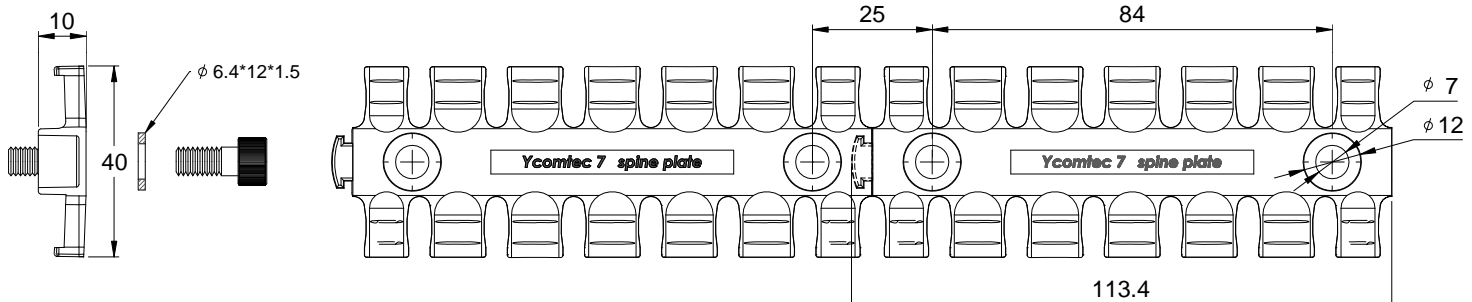


Mounting distances

安裝尺寸距離

Horizontal expandability

橫向擴充



RoHS